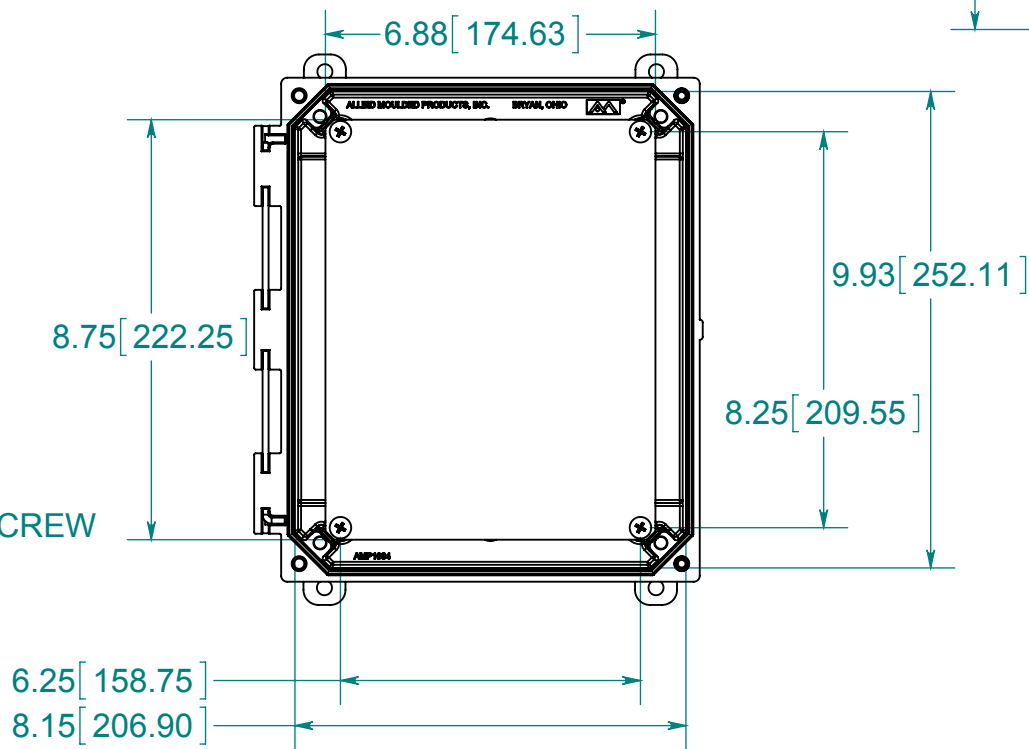
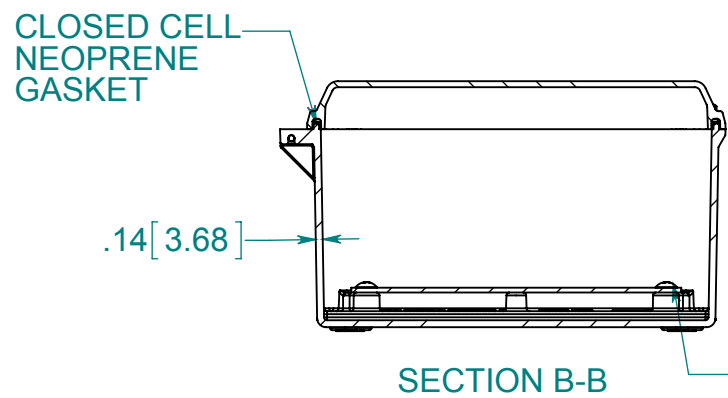
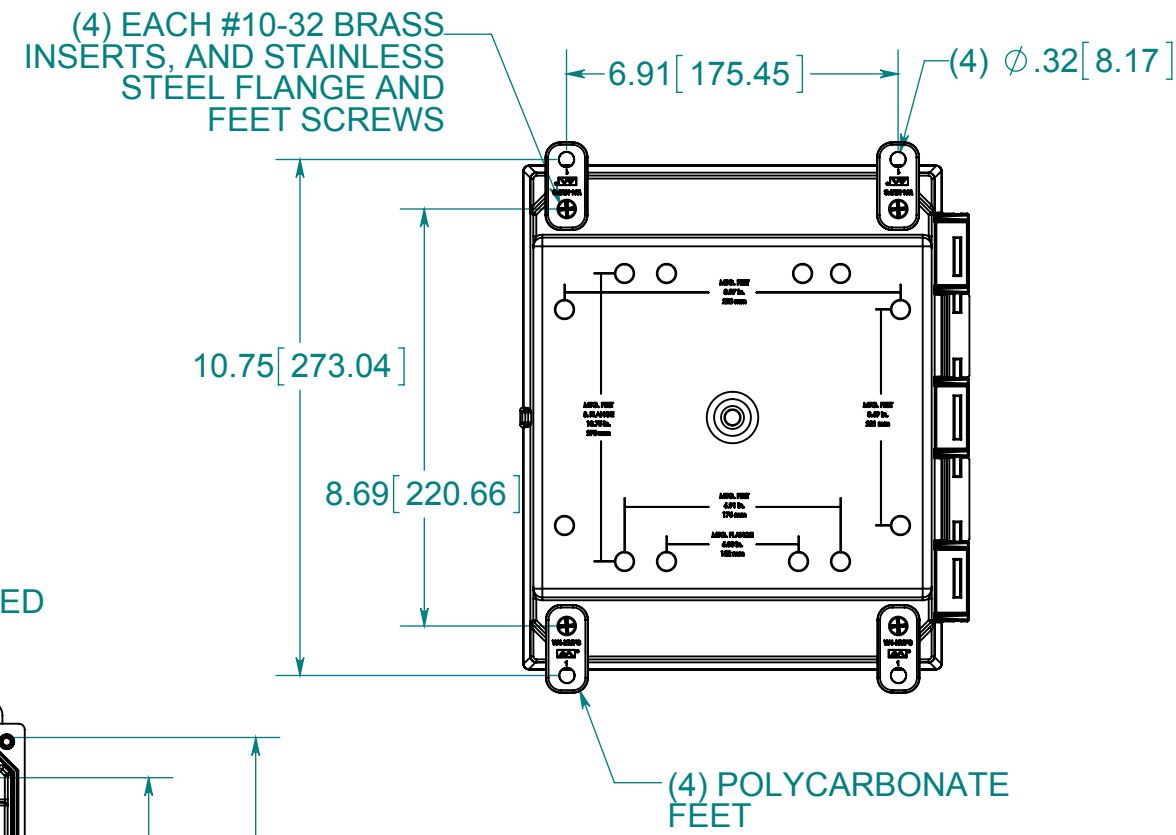
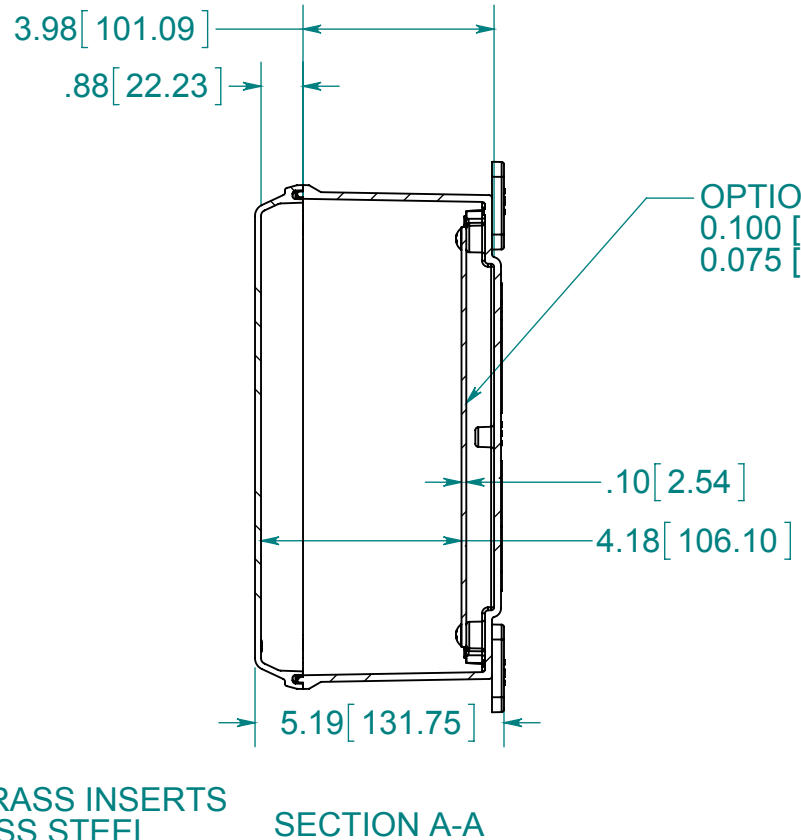
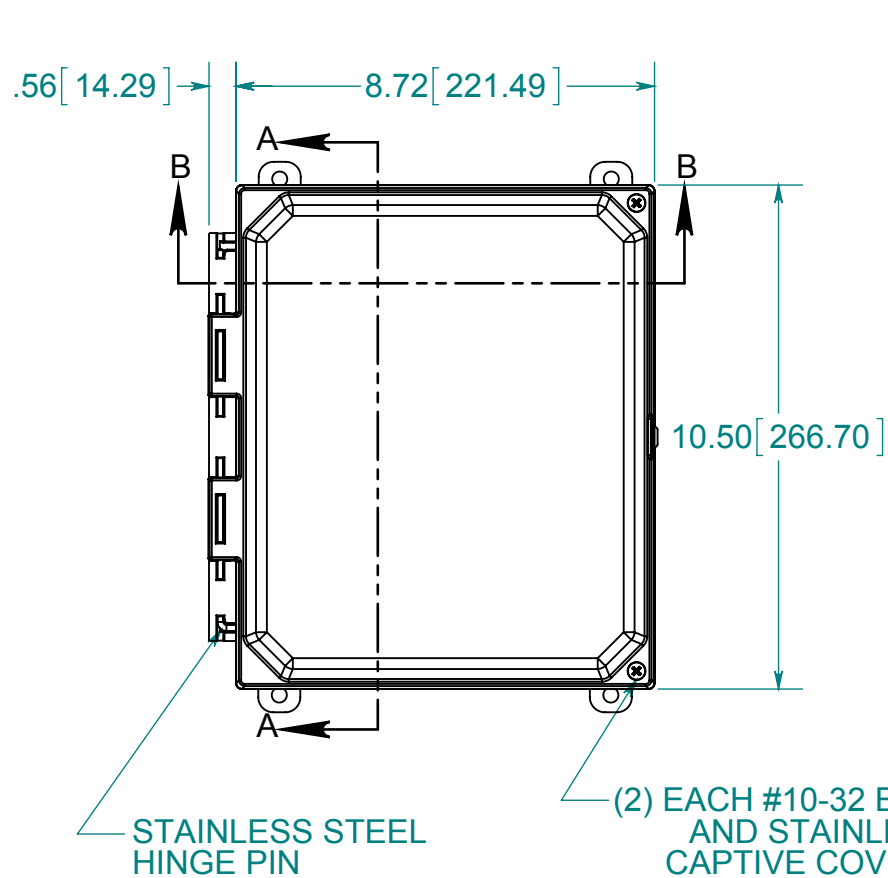


DATE	REV.	DESCRIPTION	DR	CK	REL



MATERIAL:
 BOX- INJECTED POLYCARBONATE
 STANDARD COVER- INJECTED POLYCARBONATE
 CLEAR COVER - INJECTED POLYCARBONATE

PART No. PCJ1084CCH
 for more information visit www.hammfg.com
 Data subject to change without notice
 Drawing Not to Scale